

## 2 Door Stainless Reach-In Freezer

### Features

#### Stainless Steel Interior and Exterior

High quality 430 stainless steel exterior and 304 stainless steel interior provide both durability and beauty to the unit. Also includes incandescent interior lighting.

#### Bottom Mounted Compressor

Allows for easier access while loading and unloading. This compressor location is ideal rather than top mounted style due to the temperature difference between the bottom and top of a room. Also allows easier access for maintenance and cleaning.

#### Self Closing Locking Door(s)

Self closing locking door keeps energy costs down by not allowing as much cold air to escape the unit while opening. The locking door also has an auto stop feature that keeps door open when at 90 degrees to make for easier loading and unloading.

#### Digital Temperature Controls

The LCD display allows for temperature control and easy visual read out.

#### 6 Adjustable Interior Shelves

The interior shelves sit on adjustable mounting brackets to allow for height adjustments shelf by shelf to accommodate different sized products.

#### 4 Casters

They include 2 front locking casters and come pre-installed for easy set up. Also allows for easy moving during cleaning or maintenance.



**BRF-46**

Models	Doors	#of Shelves	Compressor (H/P)	Voltage (v/Hz/Ph)	Gross Weight	Exterior Dims (ins)
BRF-46	2	6	3/4	115/60/1	419lbs	54.5" x 31.5" x 83.25"

# Technical Data

## Plan View

### Dimensions

Exterior Dimensions (Inches)	54.5" x 31.5" x 83.25"
Interior Dimensions (Inches)	50" x 27" x 58"
Packaging Dimensions (Inches)	56.1" x 33.1" x 88.5"
Capacity (cu. ft.)	46 cu. ft.
Gross Weight (lbs)	419 lbs

### Construction

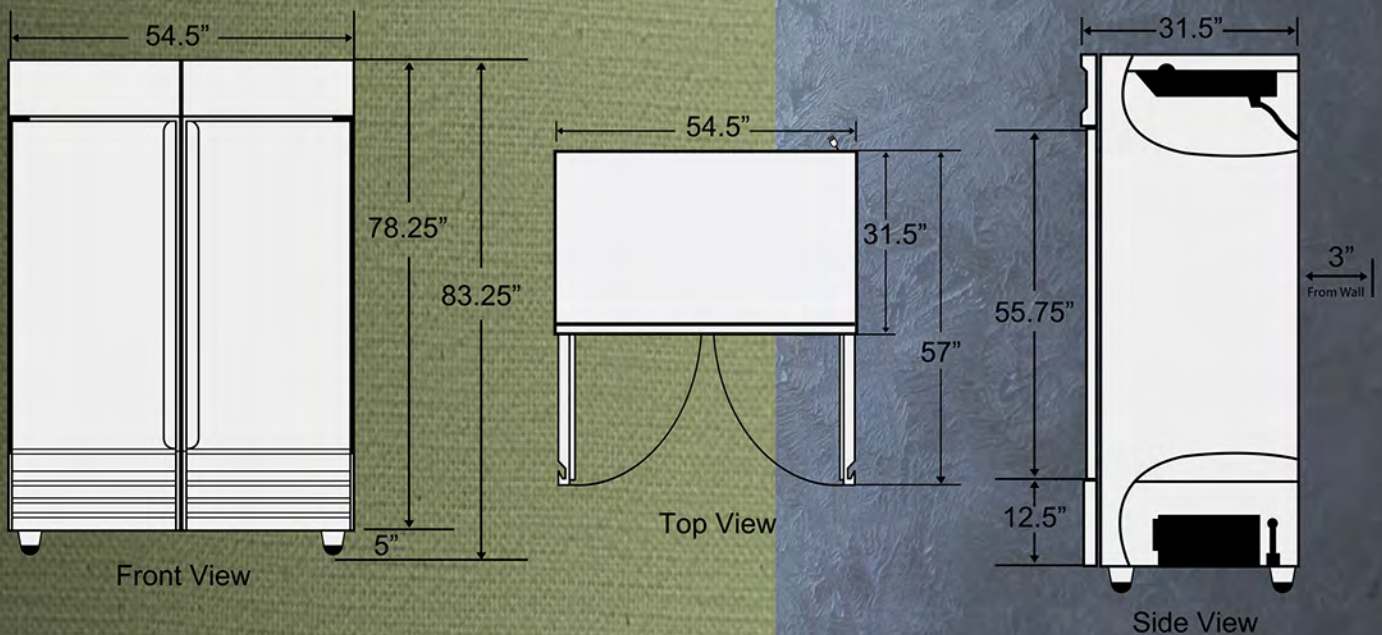
Exterior Material	430 series stainless steel
Interior Material	304 series stainless steel
Insulation Material	Polyurethane
Insulation Thickness (mm)	60
# of Doors	2
# of Shelves	6
Shelf Material	Plastic coated steel
Shelf Load Capacity (lbs/pc)	155 lbs

### Cooling

Temperature Range	-8° ~ -1° F
Refrigerant	R-404A
Refrigerant Amount (oz)	19.4
Maximum Ambient Temperature Rating	100.4° F
Defrost Method	Electric Defrost
Defrost Power (W)	800
Cooling Method	Ventilated
Temperature Controller	Digital
Compressor H/P	3/4

### Electrical

Voltage (v/Hz)	115/60
Power (W)	1170
Power Consumption (kw/24hr)	10
Phase	1



NEMA 5-15

